



51.2V 280Ah Each Pack 100kWh-215kWh (HV)

LiFePO4 Energy Storage Battery (Application scenarios within 0.5C)



Quick Customization of Electricity



Patented Modular Plug Design



Easy Installation Flexible Expansion



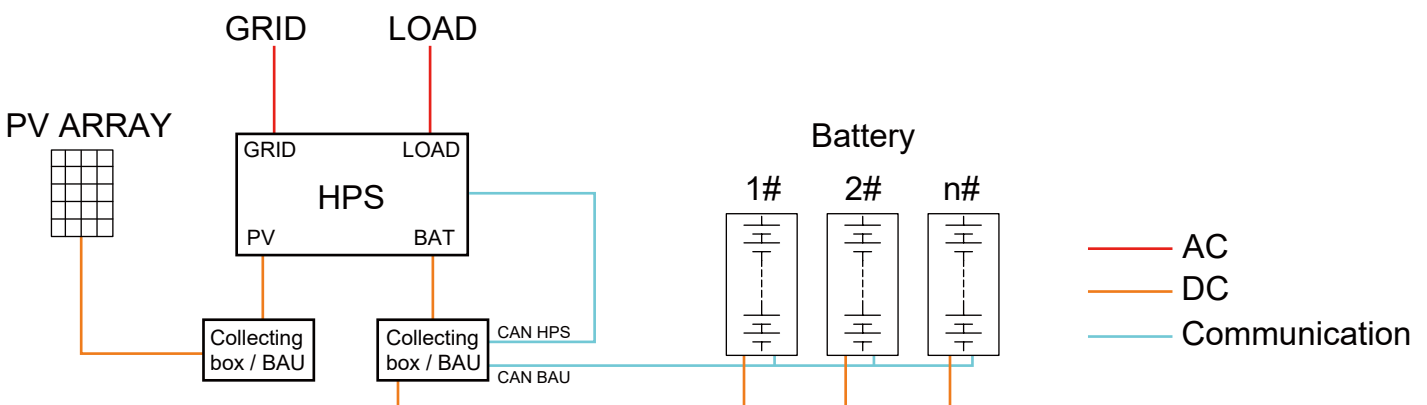
Emergency-Backup and Off-Grid Functionality



Long cycle life 6000 cycles



Safety first Smart BMS system



Technical Parameters (Battery Cluster)

100.352KWh 114.688KWh 129.024KWh 143.36KWh 157.696KWh 172.032KWh 186.368KWh 200.70KWh 215.01KWh

Battery module specification

Configuration	1P16S
Rated capacity	280Ah
Rated energy	14.336kWh
Rated voltage	51.2V
Voltage range	44.8-56.8V
Rated charge/discharge	0.5C
AC internal resistance	≤5mΩ
Dimension (W/D/H)	376*885*238.5 (±5) mm
Weight	112kg

Battery rack specification

Configuration	7 modules +1 BPU	8 modules +1 BPU	9 modules +1 BPU	10 modules +1 BPU	11 modules +1 BPU	12 modules +1 BPU	13 modules +1 BPU	14 modules +1 BPU	15 modules +1 BPU
Rated capacity	280Ah								
Rated energy	100.352kWh	114.688kWh	129.024kWh	143.36kWh	157.696kWh	172.032kWh	186.368kWh	200.70kWh	215.04kWh
Rated voltage	358.4V	409.6V	460.8V	512V	563.2V	614.4V	665.6V	716.8V	768V
Voltage range	313.6-397.6V	358.4-454.4V	403.2-511.2V	448-568V	492.8-624.8V	537.6-681.6V	582.4-738.4V	627.2-795.2V	672-852V
Rated charge/discharge	0.5C								
Display	7" Touch screen								
BMS	Included								
Communication	CAN								
Monitoring	RS485								
Dimension(W/D/H)	908*901*1615mm						908*901*2155mm		
Weight	875kg	1075kg	1200kg	1325kg	1450kg	1575kg	1700kg	1825kg	1950kg
Protection degree	IP20								

BMS Parameters on LCD

Cell voltage	Yes
Cell high voltage	Yes
Cell low voltage	Yes
Cell temperature	Yes
Charge and discharge current	Yes
Total battery voltage	Yes
Battery SOC	Yes
Fault warning	Yes

Protection

Short circuit protection	Yes
Over current protection	Yes
Over charge protection	Yes
Over discharge protection	Yes
Cell over voltage protection	Yes
Cell under voltage protection	Yes
Over temperature protection	Yes

Compatible Inverters

"Adapt to mainstream brands, customizable communication protocols, and factory compatible."