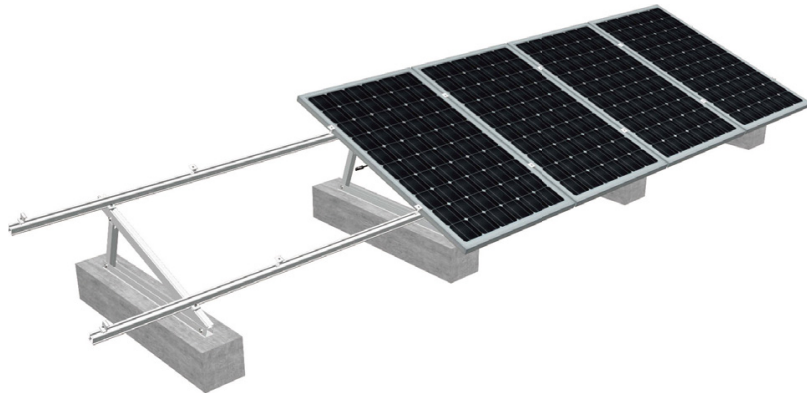


SUNPAL Roof Solar PV Mounting System Matrix II



Technical Parameters

System Name	RMII	Design Standard	Euro Code/EN1991/1993/1994, BS 6399, ASCE 7-10
Installation Site	Flat Roof, Pitched Roof		International Building Code IBC 2009,
Roof Type	Concrete Roof, Metal Roof		California Building Code CBC 2010
Tilt Angle	0-60°	Material	AL6005-T5(Anodized)
Wind Load	≤60m/s	Fastener	SUS304 & Zinc-Nickel Alloy Electroplated Steel
Snow Load	≤1.6KN/m ²	Small Components	AL6005-T5(Anodized)
Applicable Solar Module	Framed or Frameless	Color	Silver or Customized
Panel Layout	Portrait or Landscape	Warranty	10-Year Warranty

Overview

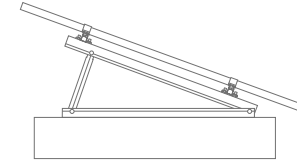
Roof Solar PV Mounting System Matrix II is derived from RM I to meet different roof projects demands. Solar modules can be arranged with single or double rows of landscape or portrait orientation. Quick installation and stable structure are assured by the modular Patented design.












Advantages

- > **System Compatibility**
Components mostly pre-assembled in factory to assure quick and reliable installation on site. Suitable for different flat rooftop, and compatible to different types of solar modules.
- > **Unique Mudsill Design**
The mudsill can be fixed to flat roof or pitched roof with concrete foundation or steel foundation.
- > **Solar Module Layout Flexibility**
Both landscape and portrait solar module layout are suitable. Both single row and double rows layout can be achieved separately or combined.
- > **Adjustability**
Tilt angle can be adjustable


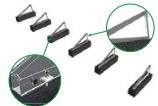

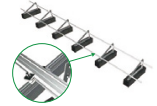
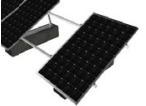
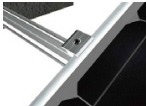
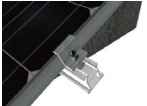

Structure



Component Details

<p>1</p>  <p>Pro Rail 50 Specification : 3100, 4100, 5100mm Material : AL6005-T5(Anodized)</p>	<p>2</p>  <p>Splice for Pro Rail 50 Specification : Standard length 260mm Flange Head Self-taping Screw ST6.3*19 Material : AL6005-T5(Anodized)</p>
<p>3</p>  <p>End Clamp Kit Components : End Clamp Cross Module Spring Washer M8 Hex Socket Head Bolt</p>	<p>4</p>  <p>Inter Clamp Kit Components : Inter Clamp Cross Module Spring Washer M8 Hex Socket Head Bolt</p>
<p>5</p>  <p>C Clamp Kit Components : C Clamp Cross Module Spring Washer M8 Hex Socket Head Bolt</p>	<p>6</p>  <p>Angle Aluminum Tripod Support Components : Angle Aluminum Beam Angle Aluminum Mudsill Angle Aluminum Side Beam flat washerM8 spring washerM8 Hexagon Bolt M8*2.5</p>
<p>7</p>  <p>Single Tripod Support Components : Tripod Support Beam Tripod Support Mudsill Tripod Support SquareTubeA H Joinder Flat Washer M10 Spring Washer M10 Hexagon Bolt M10*65</p>	<p>8</p>  <p>Double Tripod Support Components : Tripod Support Beam Tripod Support Mudsill Tripod Support Square Tube A/B H Joinder Flat Washer M10 Spring Washer M10 Hexagon Bolt M10*65</p>
<p>9</p>  <p>Adjustable Tripod Components : Tripod Support Beam Tripod Support Mudsill Tripod Support Square Tube A H Joinder Flat Washer M10 Spring Washer M10 Hexagon Bolt M10*65</p>	

Installation Guide

<p>1</p>  <p>Place the concrete base at the position indicated on the solution drawings</p>	<p>2</p>  <p>Fasten the preassembled supports on the expansion bolts by C Clamps</p>	<p>3</p>  <p>Install splices</p>	<p>4</p>  <p>Fasten the rails by C Clamp Kits</p>
<p>5</p>  <p>Install modules on the rails</p>	<p>6</p>  <p>Fasten modules by Inner Clamp Kits</p>	<p>7</p>  <p>Fasten modules by End Clamp Kits</p>	<p>8</p>  <p>Complete installation</p>