

SunPal Ballast Mounting System For PV module ballasted mount on concrete flat roof



10YEARS
WARRANTY

 info@sunpalpower.com

New & Improved: The Professionals' Choice With Superior Aesthetics

SunPal E-W Type Ballast

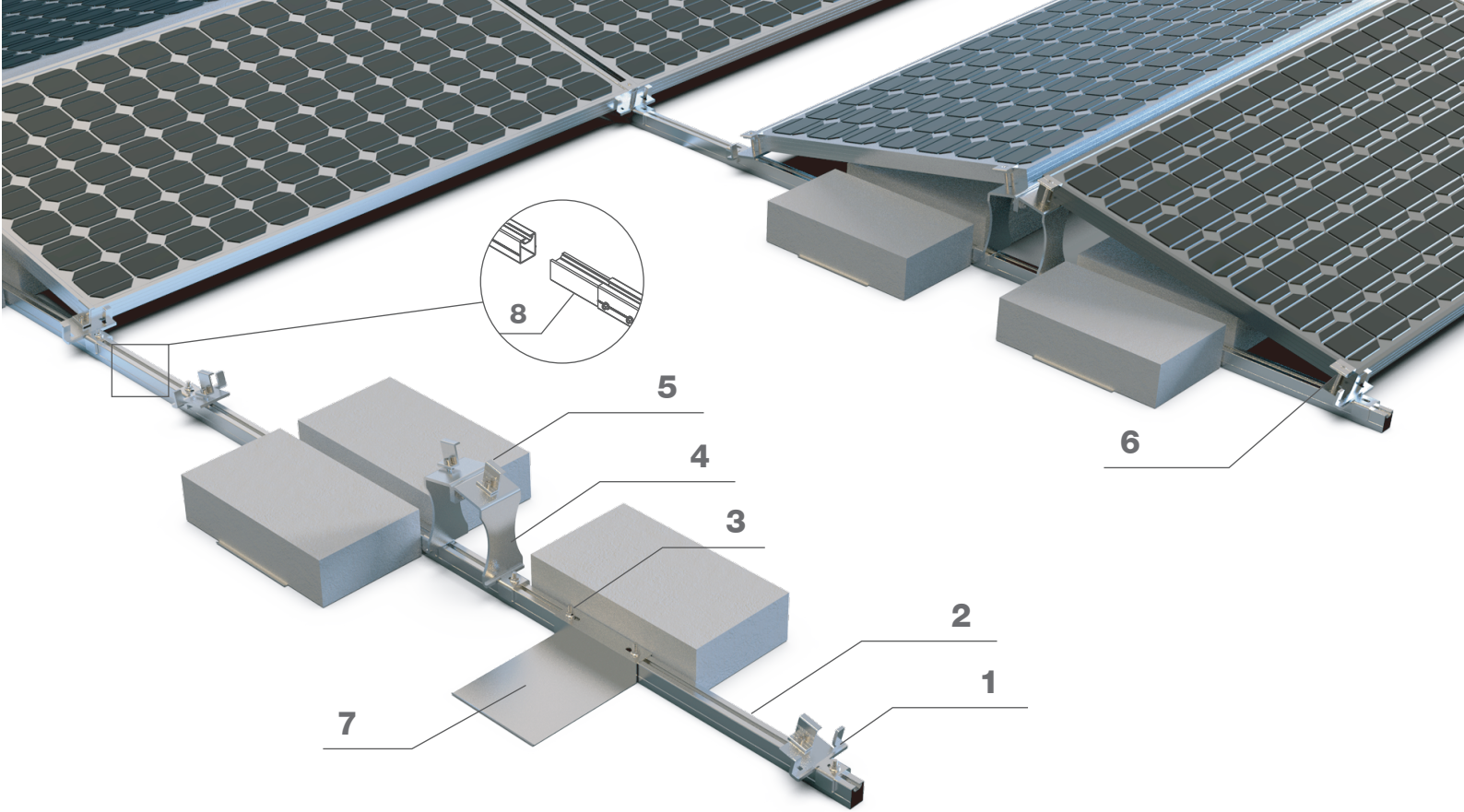


SunPal E-W type ballast

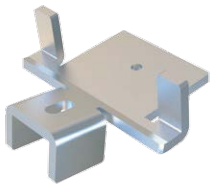
Idea for East-west solar modules installation

Technical features:

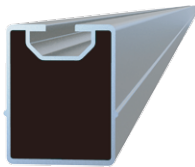
Productname	E-W type ballast
Application	Flat roof
Inclination	5-15°
Tripodmaterial	Aluminum alloy 6005 T5
finish	Anodized clear,avg 12um
PVmodule	Framed,unframed
Module size	60or72cell
Module orientation	Landscape



Components



1. Front leg



2. Bottom rail



3. T bolt



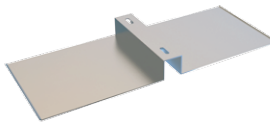
4. Back leg



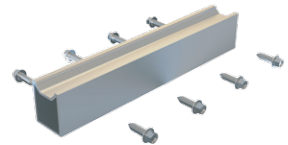
5. End clamp



6. Mid clamp

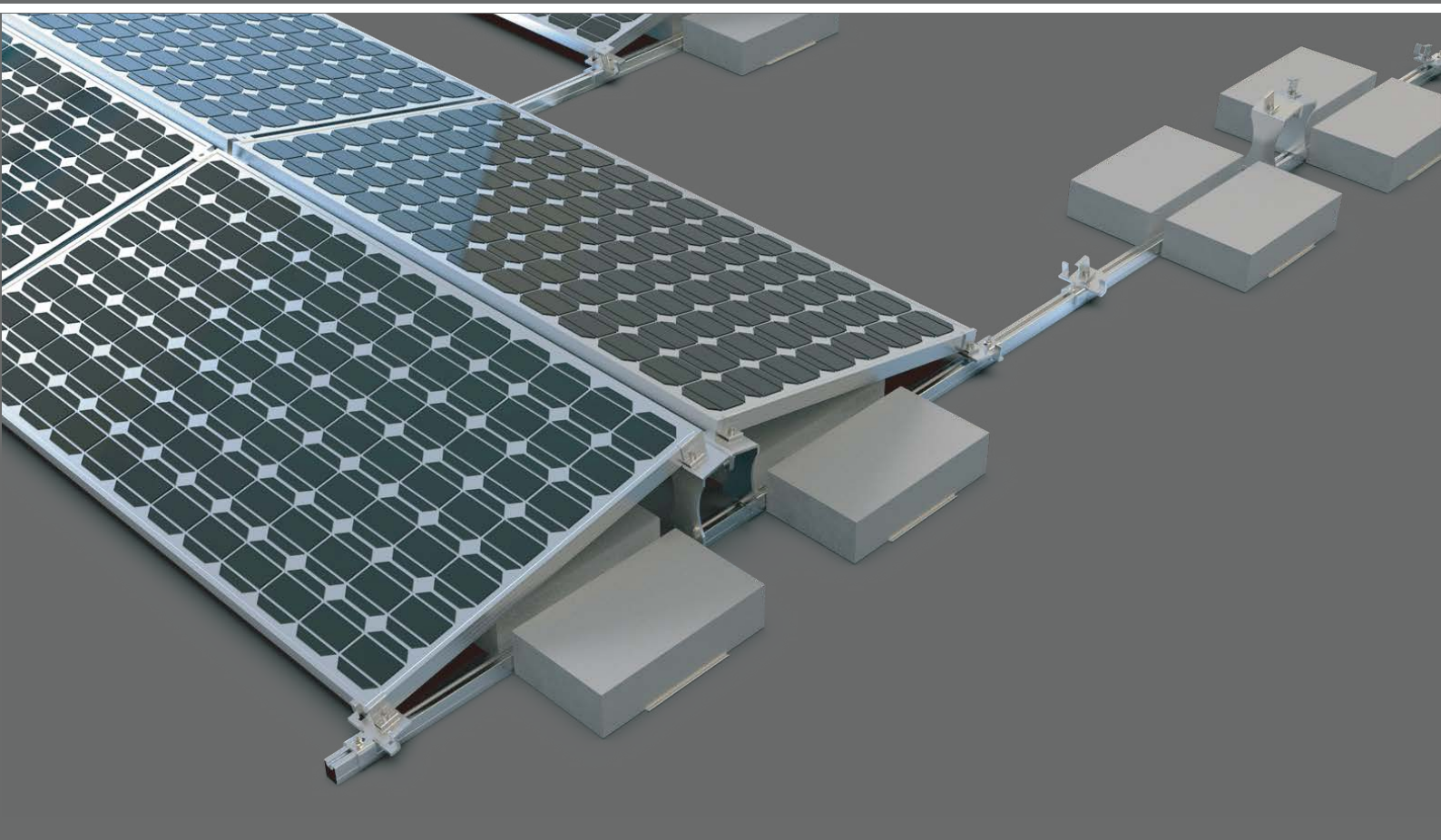
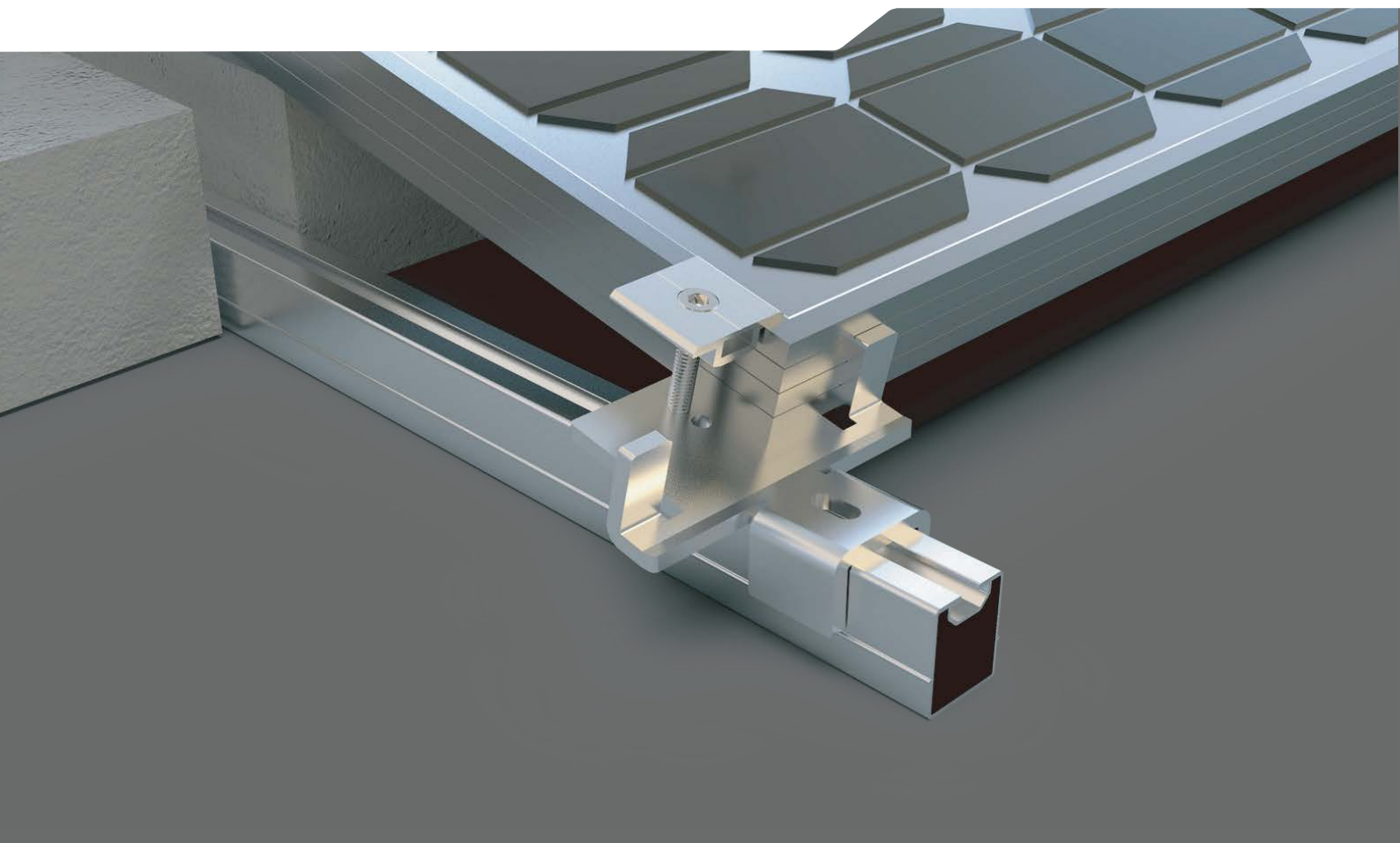


7. Ballast tray



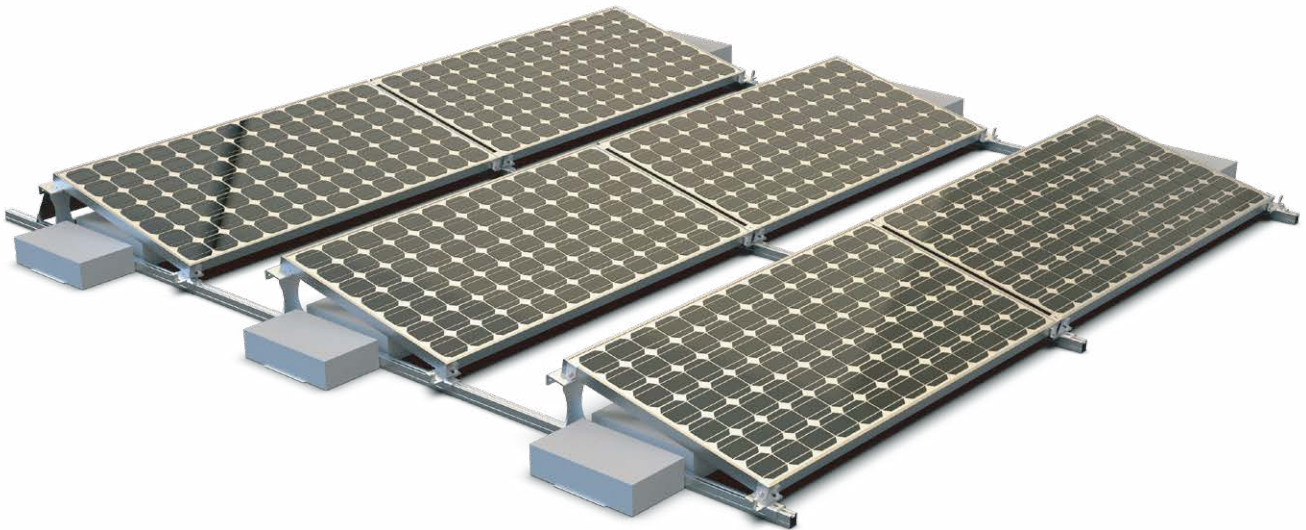
8. Bottom rail splice

New & Improved: The Professionals' Choice With Superior Aesthetics



New & Improved: The Professionals' Choice With Superior Aesthetics

SunPal E-W Type Ballast



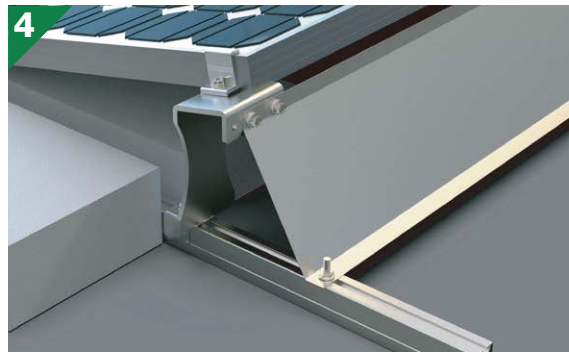
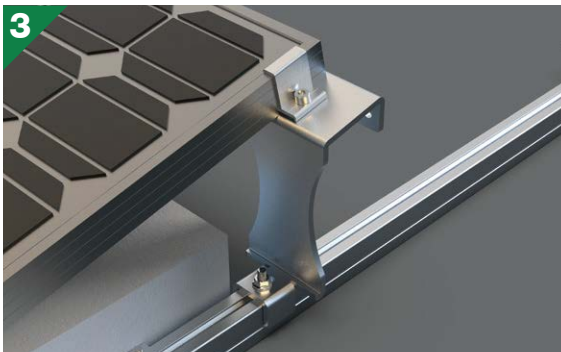
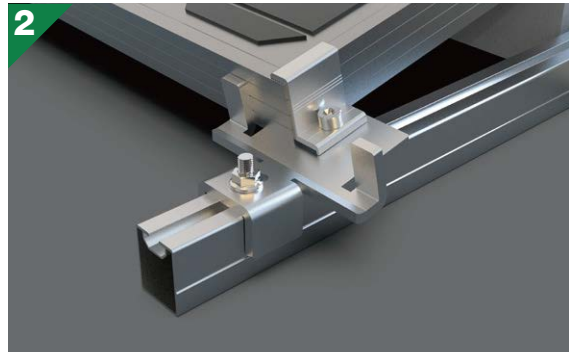
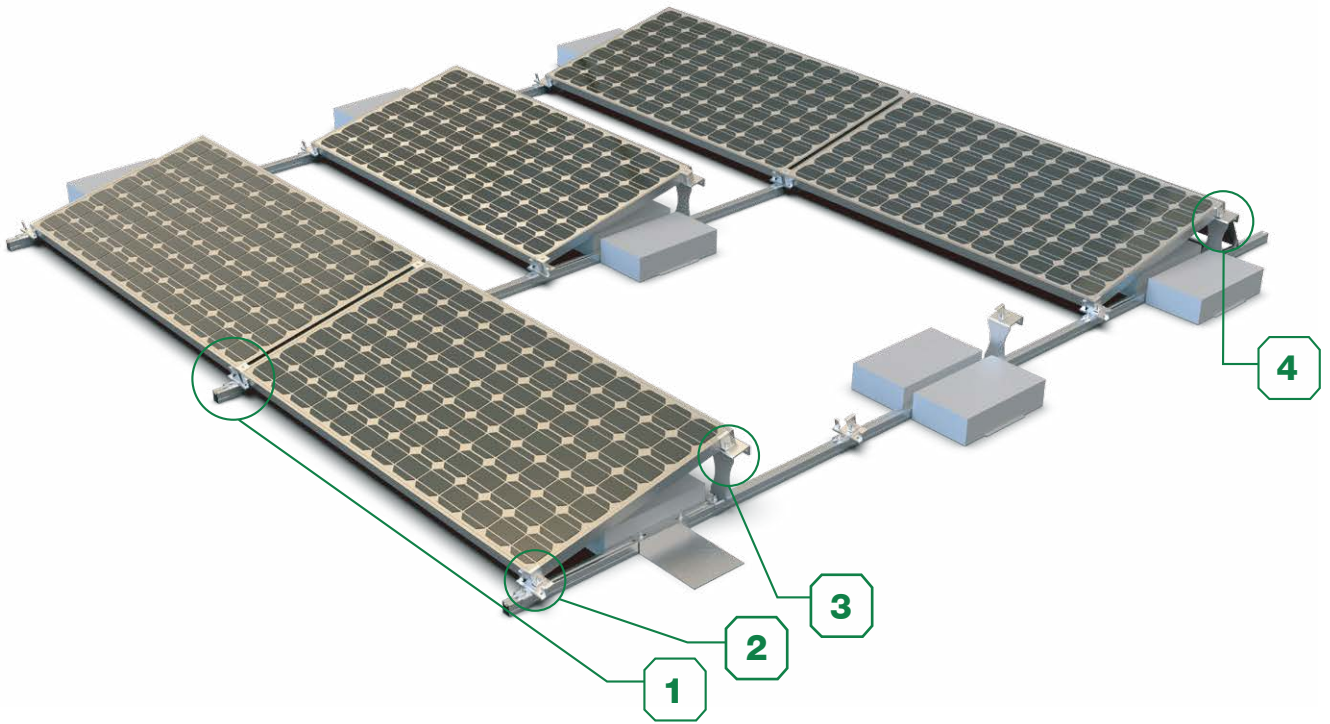
SunPal S type ballast

Idea for south or north solar modules installation.

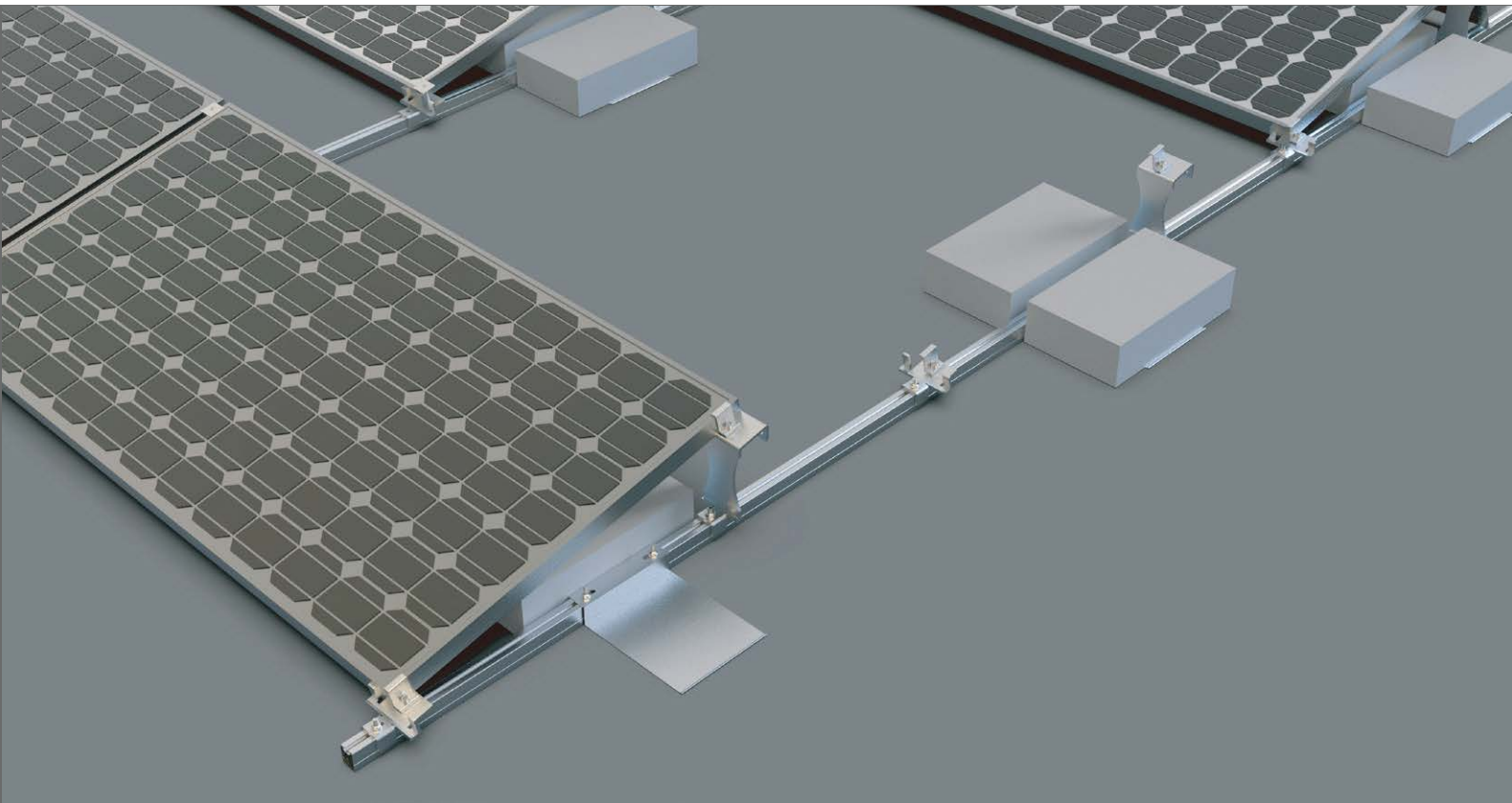
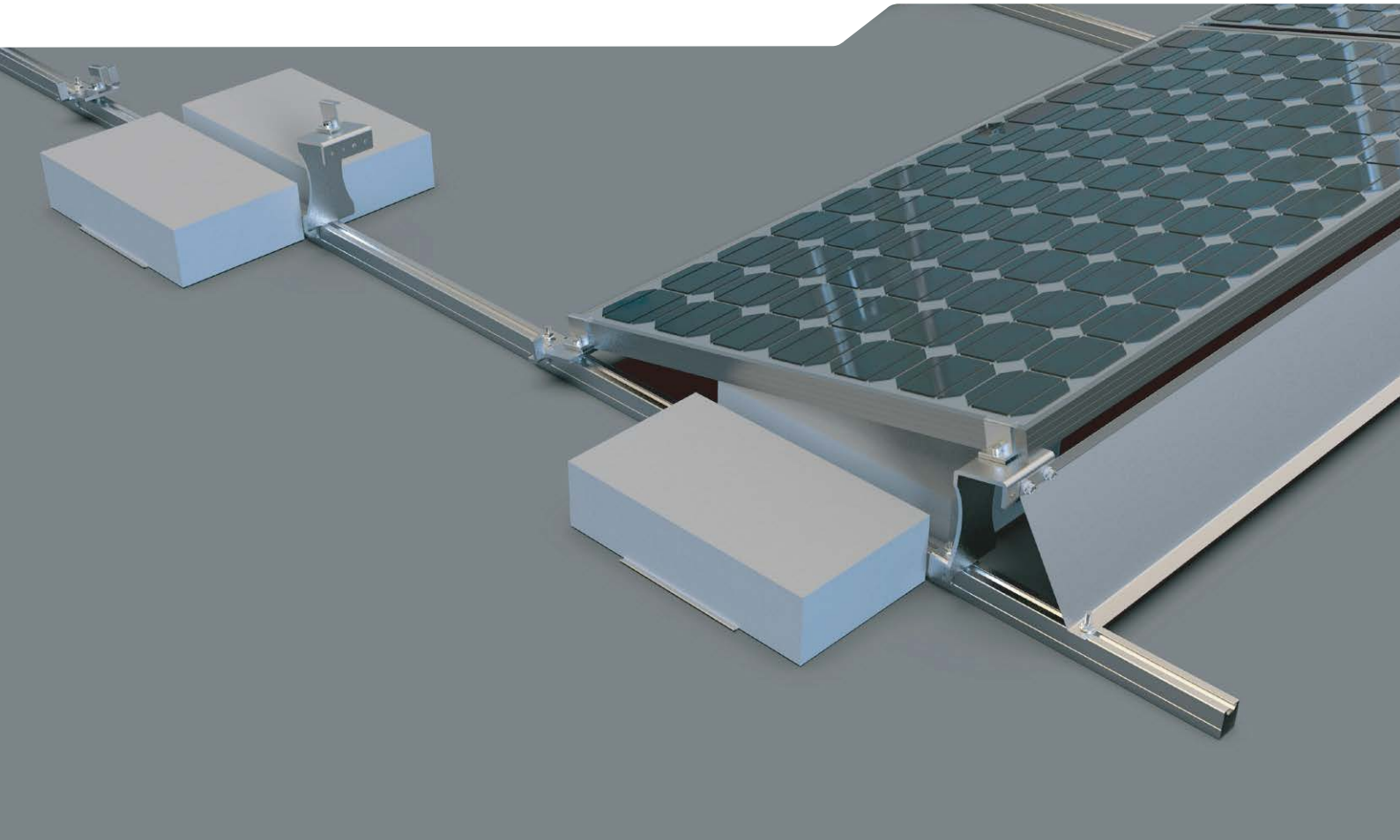
Technical features:

Productname	S type ballast mount
Application	Flat roof
Inclination	5-15°
Tripodmaterial	Aluminum alloy 6005 T5
finish	Anodized clear,avg 12um
PVmodule	Framed,unframed
Module size	60or72cell
Module orientation	Landscape

New & Improved: The Professionals' Choice With Superior Aesthetics



New & Improved: The Professionals' Choice With Superior Aesthetics





Sunpal Power Co., Ltd

Add: No. 398 Ganquan Road, Hefei, Anhui, China.

Tel: +86 551 6586 5992

Web: [www. sunpalpower.com](http://www.sunpalpower.com)